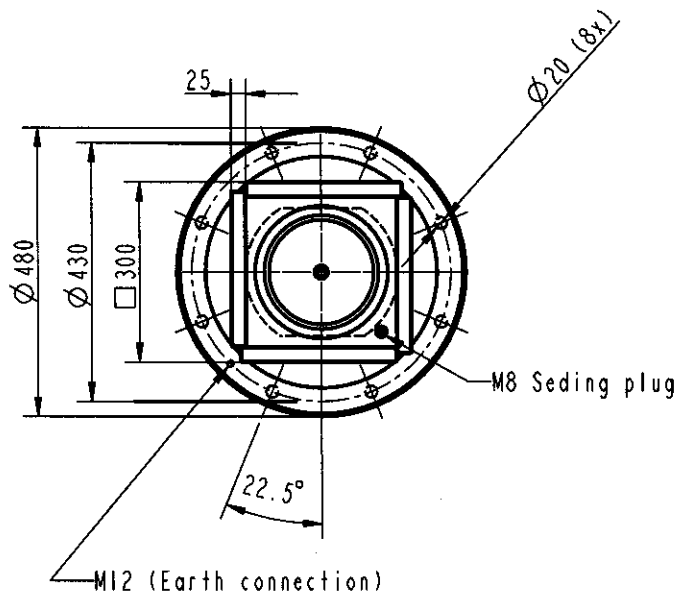
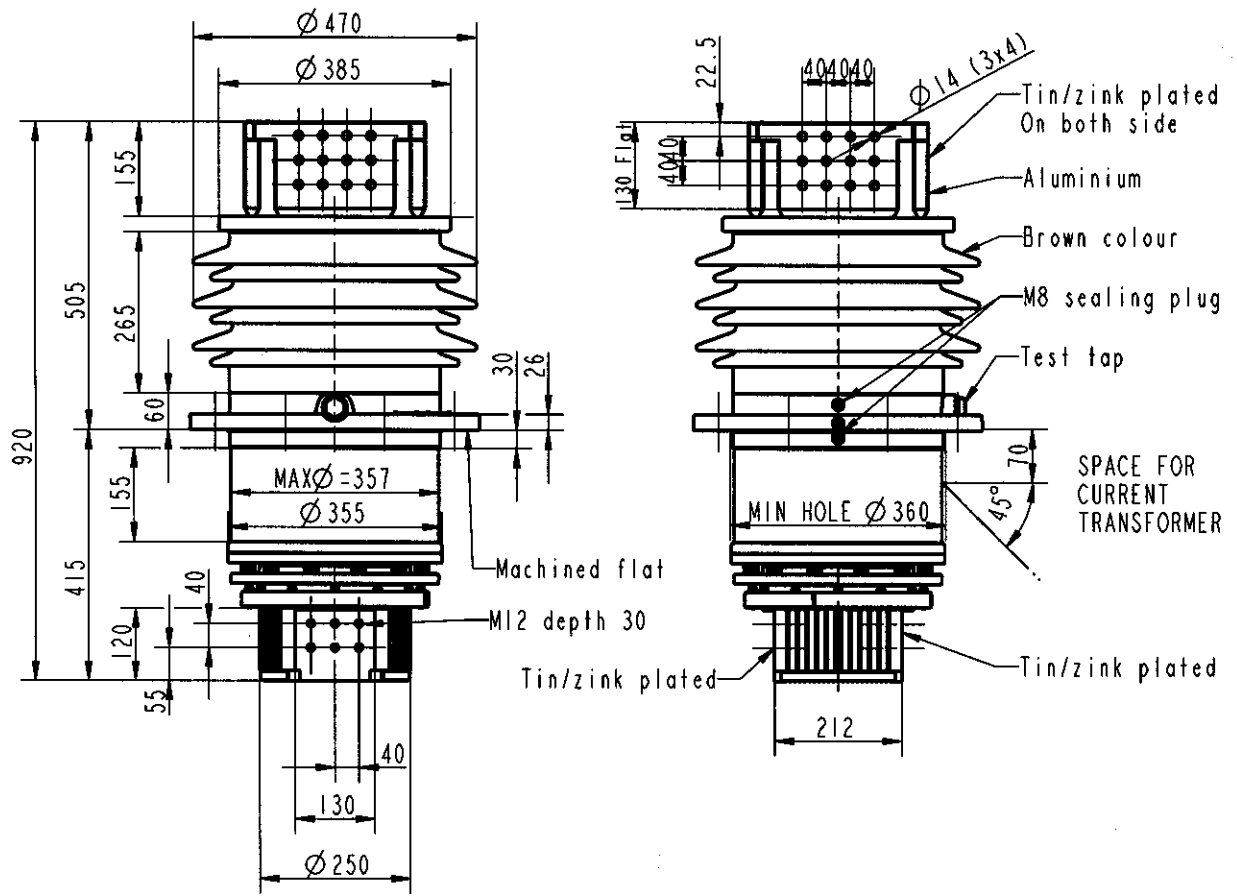


Rev Ind	Revision	Appd	Date
1	REDRAWN	ER ER	00 17



RATING	IEC	ANSI
RATED VOLTAGE (KV)	36	-
PHASE TO GROUND MAX. (KV)	36	22
POWER FREQUENCY WET (KV)	70	75
POWER FREQUENCY DRY (KV)	70	80
LIGHTNING IMPULSE (KV)	170	200
INSULATION CLASS (KV)	-	34.5
CURRENT CARRYING CAPACITY ACC. TO B COM 1002E		
CREEPAGE DISTANCE 760 mm		
MASS 175 kg		
CATALOGUE NUMBER LF 126 008-A		

We reserve all rights in this document and in the information contained therein. Reproduction, use or disclosure to third parties without express authority is strictly forbidden.

Production engineering review

Design engineering review

HOLMSTRÖM

Based on	Reg. No.	Title
Prepared JANSSON	Responsible department COM/KB 91 40	BUSHING GOH 170-16 GENOMFÖRING GOH 170-16
Approved HEYMAN	Take over department	
Revision	Database	Page 1 (1)

ABB

ABB Components

Document No.

2751312-16



Language
82